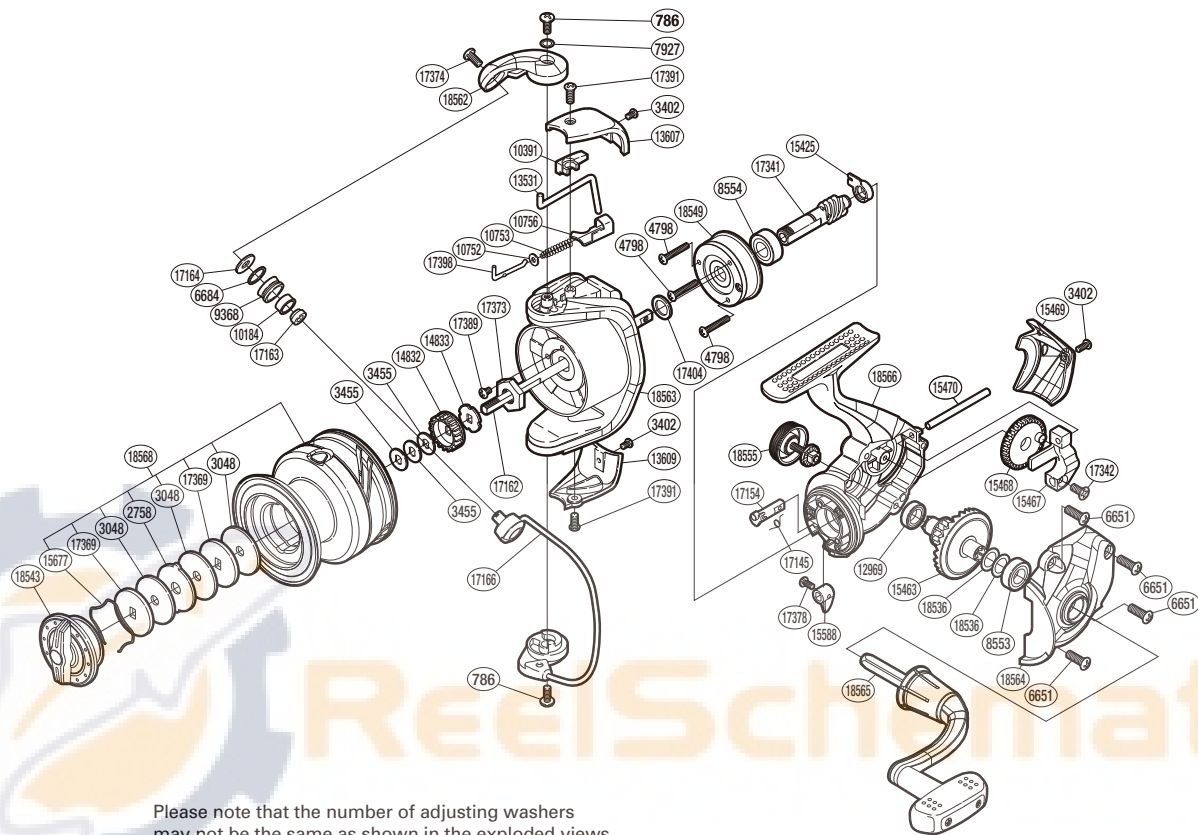


# SHIMANO

## NEXAVE

## NEX-C5000HGFE



Please note that the number of adjusting washers may not be the same as shown in the exploded views. (51SB47H051X) (Adjustment will vary with each individual product.)

| Part No. | Description                 | Part No. | Description             | Part No. | Description            |
|----------|-----------------------------|----------|-------------------------|----------|------------------------|
| RD 0786  | Screw                       | RD13607  | Bail Spring Cover       | RD17342  | Screw                  |
| RD 2758  | Eared Washer                | RD13609  | Bail Hold Support Guard | RD17369  | Key Washer             |
| RD 3048  | Drag Washer                 | RD14832  | Spool Support A         | RD17373  | Rotor Nut              |
| RD 3402  | Screw                       | RD14833  | Spool Support B         | RD17374  | Screw                  |
| RD 3455  | Spool Washer                | RD15425  | Pinion Gear Bushing     | RD17378  | Screw                  |
| RD 4798  | Screw                       | RD15463  | Drive Gear              | RD17389  | Screw                  |
| RD 6651  | Screw                       | RD15467  | Oscillating Slider      | RD17391  | Screw                  |
| RD 6684  | Line Roller Spacer          | RD15468  | Oscillating Gear        | RD17398  | Bail Spring Guide A    |
| RD 7927  | Washer                      | RD15469  | Rear Protector          | RD17404  | Washer                 |
| RD 8553  | Ball Bearing                | RD15470  | Oscillating Guide       | RD18536  | Washer                 |
| RD 8554  | Ball Bearing                | RD15588  | Anti-Reverse Lever      | RD18543  | Drag Knob Assembly     |
| RD 9368  | Line Roller                 | RD15677  | Drag Washers Retainer   | RD18549  | Roller Clutch Assembly |
| RD10184  | Line Roller Bushing         | RD17145  | Anti-Reverse Cam Spring | RD18555  | Handle Screw Cap       |
| RD10391  | Bail Trip Cover             | RD17154  | Anti-Reverse Cam        | RD18562  | Bail Arm               |
| RD10752  | Bail Spring Guide A Support | RD17162  | Main Shaft              | RD18563  | Rotor                  |
| RD10753  | Bail Spring                 | RD17163  | Line Roller Collar      | RD18564  | Side Cover             |
| RD10756  | Bail Spring Seat            | RD17164  | Line Roller Washer      | RD18565  | Handle Assembly        |
| RD12969  | Ball Bearing                | RD17166  | Bail Assembly           | RD18566  | Body Assembly          |
| RD13531  | Bail Trip Lever             | RD17341  | Pinion Gear             | RD18568  | Spool Assembly         |